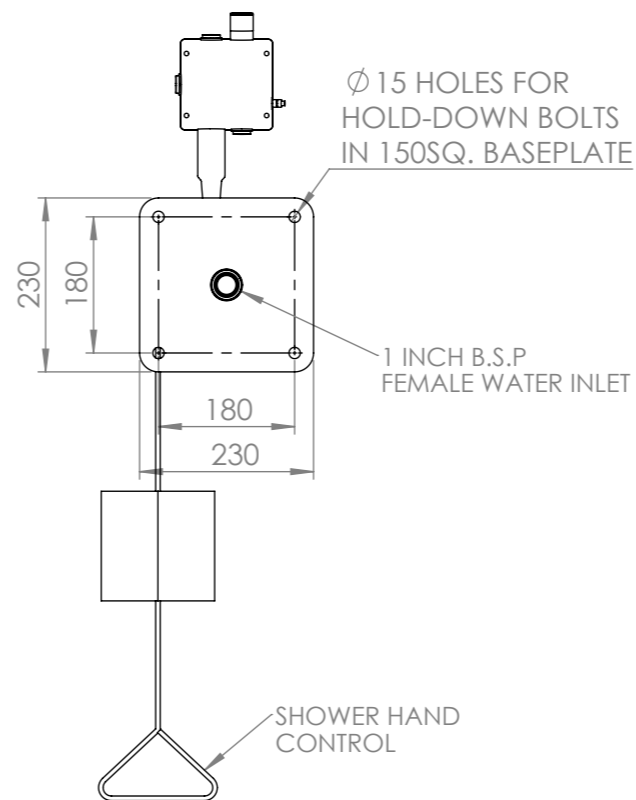
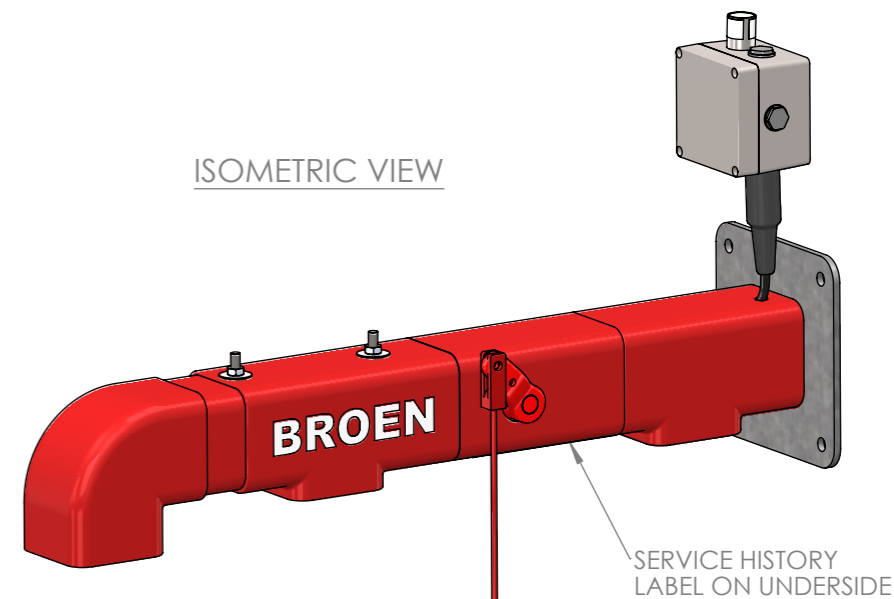
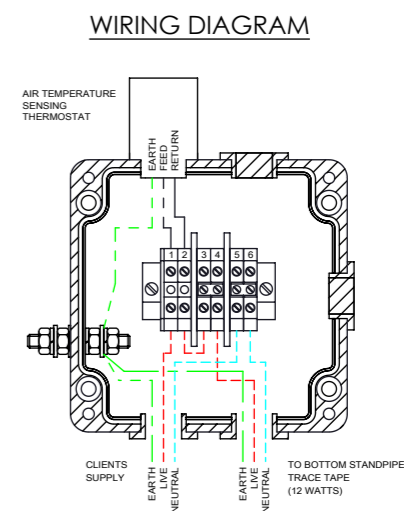


MINIMUM WORKING TEMPERATURE: -20°C



SECTION A-A



WIRING DIAGRAM

BROEN-LAB

BROEN A/S
Skovvej 30, DK-5610 Assens,
T: +45 6471 2095 F: +45 6471 2476
E: broen@broen.com W: www.broen.com

NAME	DATE
DRAWN: S.W.	16/05/13
CHECKED: A.L.	16/05/13
APPROVED: A.L.	16/05/13

MATERIAL:
STAINLESS STEEL

DEBUR AND BREAK SHARP EDGES
DIMENSIONS ARE IN MILLIMETRES
UNLESS SPECIFIED OTHERWISE
TOLERANCES:
LINEAR:
ANGULAR:

SCALE:1:20
DO NOT SCALE OFF DRAWING

TITLE:
**OUTDOOR WALL MOUNTED EMERGENCY SAFETY SHOWER
SUITABLE FOR FLAMEPROOF AREAS. SUPPLY VOLTAGE 230V, 50 OR 60 HZ.**

FINISH: CLEAN SHEET 1 OF 1 DWG NO. H7230011000221

REVISION
A
A3