

Area of Application:
 Wall mounted
 Water

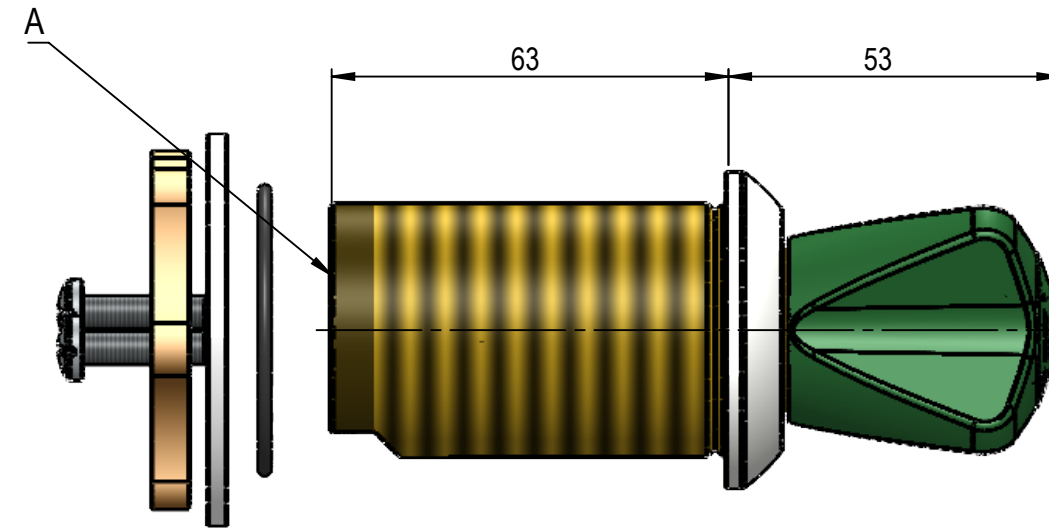
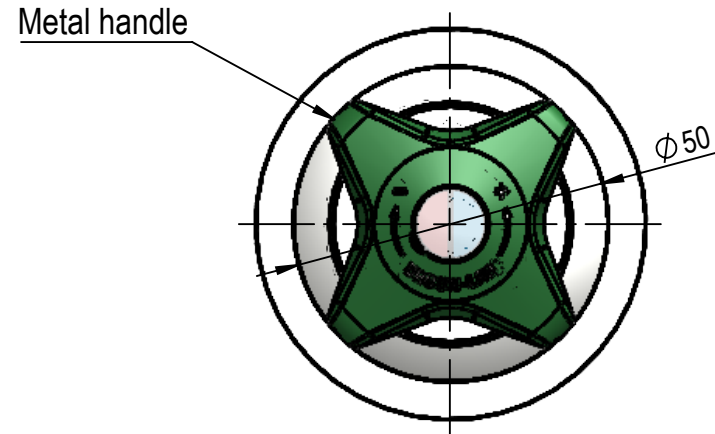
Max. working pressure 10 bar
 Temperature range 5°C-65°C

Details:
 Ceramic non-closing mixing valve
 Red and blue media indication on handle

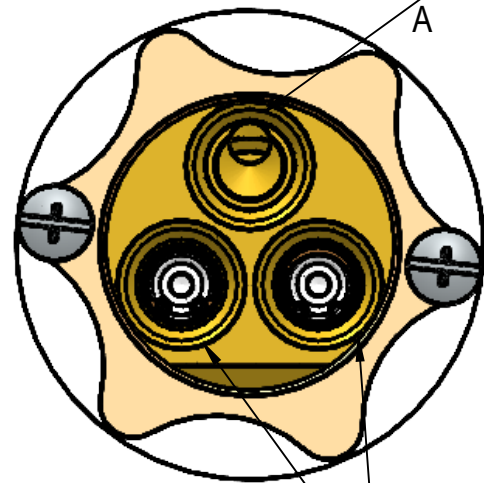
Materials in media contact:
 Brass
 Rubber, EPDM
 Silicone based lubricant
 Ceramic
 POM

Mounting:
 M40x1,5 nut with O-ring and washer (See 94G0232)

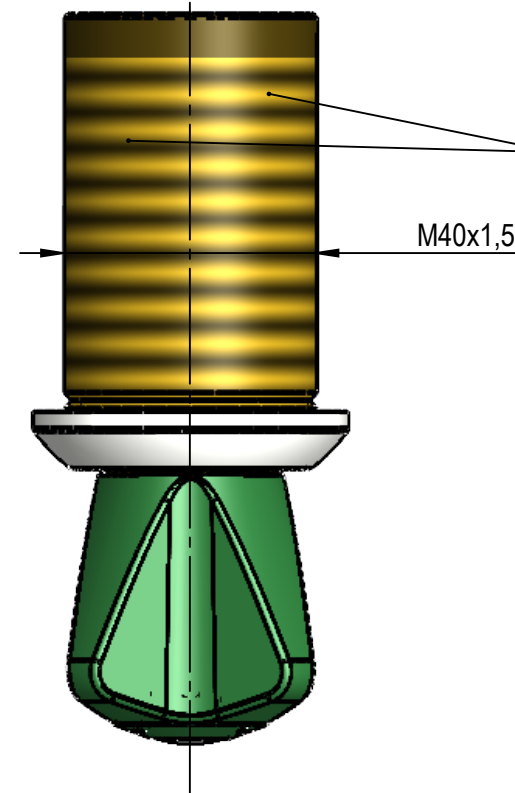
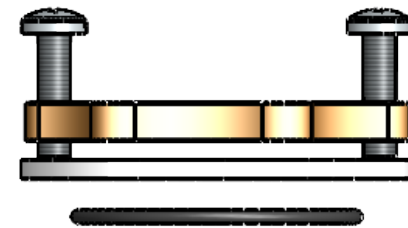
Inlet / outlet connection:
 UniFlex
 UniFlex



OUT
 BROEN-LAB UniFlex connection

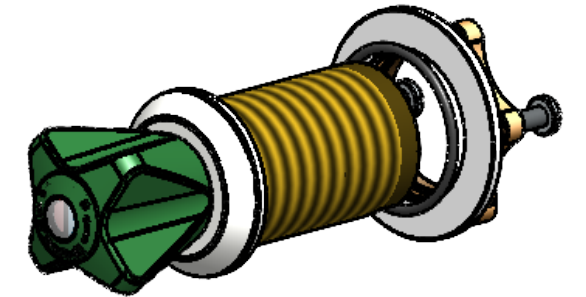


IN
 BROEN-LAB UniFlex connection



Built-in check valves
 for hot and cold inlet

M40x1,5



MEDIA CODE XX FOR WATER
 ONE HANDLE MIXER
 *Model shown for WPT

Media	Media description	Media code XX
WPT	Water potable tempered	35
WNT	Water non-potable tempered	37

Description: 1-Hand.Mix, Wall mounted, M40x1,5 nut with O-ring and washer (See 94G0232), ,

						Media: Water
						Comments:
						Drawing type: Customer drawing
						Weight: 0.905 Kg
Rev.	Pos.	Date	TM No.	Design by	Drawn by:	Change:
						Designed by: MBM
						Drawn by: MBM
						Released on TM No.
						Date (DD-MM-YY): 23-11-20
						Format: A3
						Drawing No.: 260200210XX

BROEN-LAB

This drawing is our property and cannot be given to a third party, copied or otherwise used without our permission. BROEN-LAB A/S.

Area of Application:
Table mounted
Water

Max. working pressure 10 bar
Temperature range 5°C-60°C

Details:
Servo controlled bi-stable cartridge valve
Fixed spout
Aerator w. flowfix 5 L/min

Materials in media contact:
Brass
Rubber, EPDM
Silicone based lubricant
PPSU
SS
PA
SPX Hose

Mounting:
M30x1,5 nut with locking pins o-ring and washer

Inlet / outlet connection:
UniFlex
Aerator w. flowfix 5 L/min

Electronic connection:
100-240 V AC 50/60 Hz

Infrared sensor

Ø 30

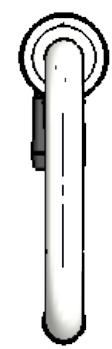
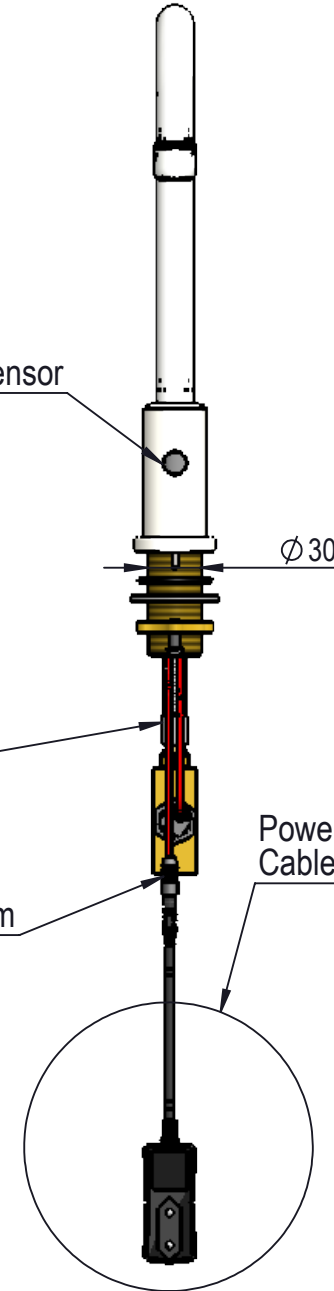
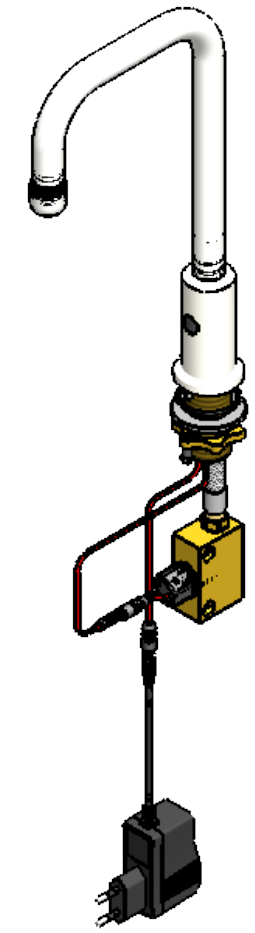
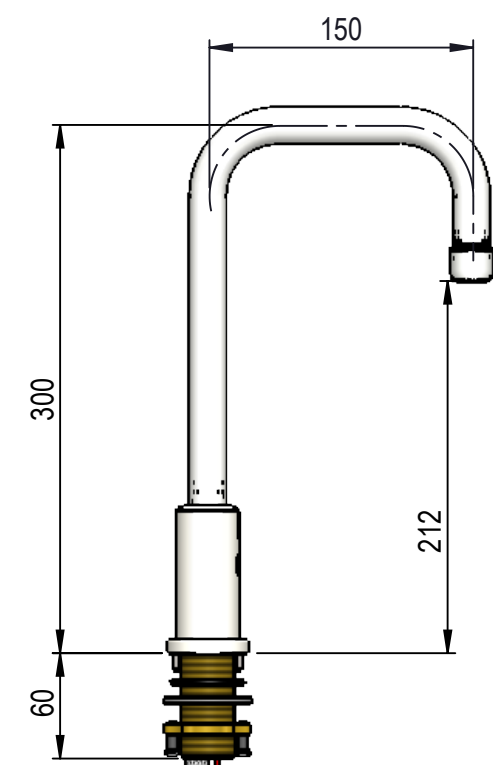
Standard hose length 500mm

Cable length 300mm

Power plug for EU
Cable length 1100mm

M5 screws not included

BROEN-LAB UniFlex female



Description: 1-Valve, Table mounted, M30x1,5 nut with locking pins o-ring and washer, Fixed spout, UniFlex												
C	26-11-18			sje		Media:	Water					
D	11-01-19			sje		Comments:						
E	15-02-19			sje		Drawing type:	Customer drawing		Weight:	1.327 Kg		
F	19-02-19			sje		Designed by:	SJE	Drawn by:	SJE	Released on TM No.:	Date:	12-02-19
Rev.	Pos.	Date	TM No.	Design by	Drawn by:	Change:	Format:	Drawing No.:		26010011035-52		
<p>BROEN-LAB</p> <p>This drawing is our property and cannot be given to a third party, copied or otherwise used without our permission. BROEN-LAB A/S.</p>							A3					