

Area of Application:  
Table mounted  
Water

Max. working pressure 10 bar  
Temperature range 5°C-60°C

Details:  
Servo controlled bi-stable cartridge valve  
Fixed spout  
Aerator w. flowfix 5 L/min

Materials in media contact:  
Brass  
Rubber, EPDM  
Silicone based lubricant  
PPSU  
SS  
PA  
SPX Hose

Mounting:  
M30x1,5 nut with locking pins o-ring and washer

Inlet / outlet connection:  
G1/2, Hose  
Aerator w. flowfix 5 L/min

Electronic connection:  
100-240 V AC 50/60 Hz

Infrared sensor

Ø 30

Standard hose length 500mm

Cable length 300mm

Power plug for EU  
Cable length 1100mm

Hose length of connection hose 700mm

M5 screws not included

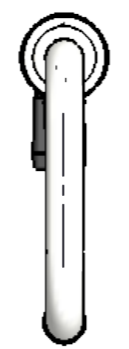
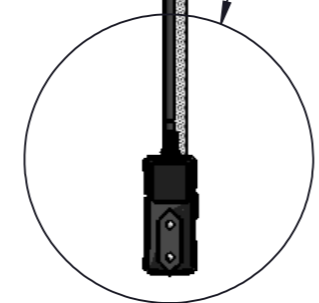
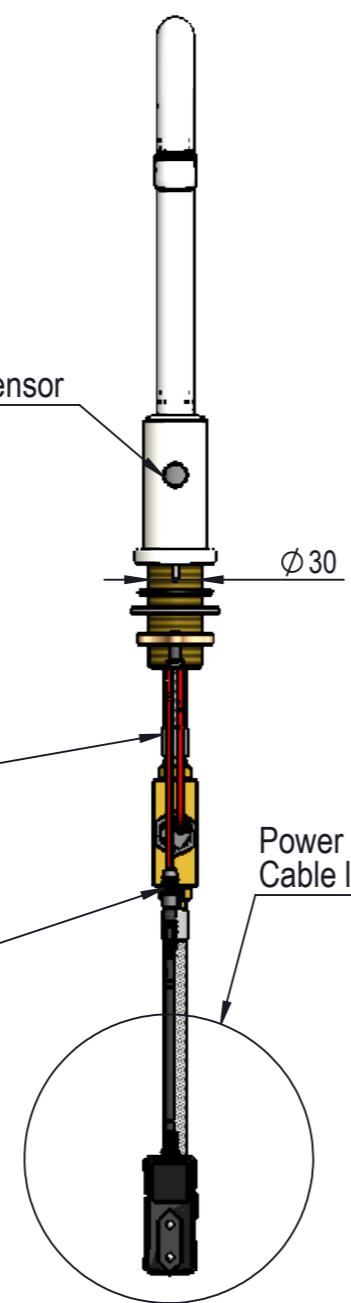
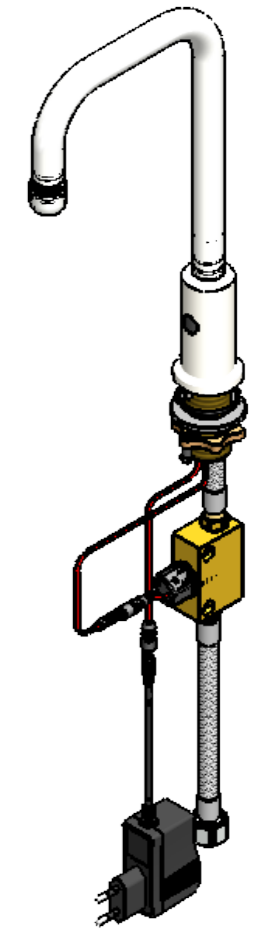
G1/2" Union

150

300

212

60



Description: 1-Valve, Table mounted, M30x1,5 nut with locking pins o-ring and washer, Fixed spout, G1/2										
								Media: Water		
Comments:										
Drawing type: Customer drawing								Weight: 1.469 Kg		
Rev.	Pos.	Date	TM No.	Design by	Drawn by:	Change:	Designed by: SJE	Drawn by: TLA	Released on TM No.:	Date: 09-08-2018
<b>BROEN-LAB</b>							This drawing is our property and cannot be given to a third party, copied or otherwise used without our permission. BROEN-LAB A/S.		Format: A3 Drawing No.: 26010011035-52E	