

RWC

REAR WALL CONNECTION



The BROEN-LAB Rear Wall Connection (RWC) makes the installation easy and flexible as well as it makes it adaptable for changes of choice, - even after finishing the installation.



Last minute decisions

Complete the installation with the RWC and leave the decision for choice of valve configuration to a later stage, - How easy can it be? 😊



Ready for 3/8" piping

The RWC connection can be delivered with a 3/8" compression fitting for copper pipe installation, - Nice and easy! 😊



Installation angle of 360°

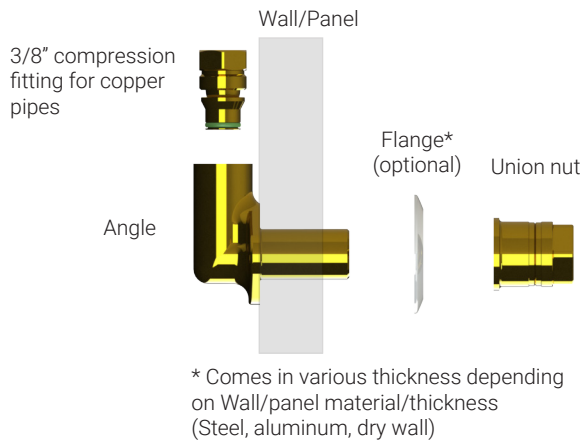
The maximum flexibility of the RWC connection makes it possible to orientate the inlet 0-360°, - No plumbing issues! 😊

For more information please contact your BROEN-LAB representative or use the information:
E-mail: lab@broen-lab.com or phone: +1 603 310 5089

BROEN-LAB

Easy installation with the BROEN-LAB RWC Connection

How to install the RWC Connection

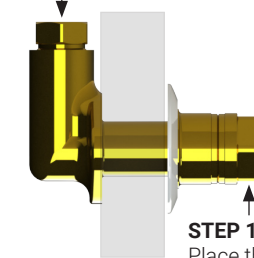


STEP 2

Plug in the copper pipe in the 3/8" compression fitting and tighten 1 1/4 turn from start position (Clockwise).
By soft copper pipes BROEN-LAB recommend the use of support bushing.

Recommend tools:

Torque wrench: 97A0146
 Open ended insert: 97A0147



STEP 1

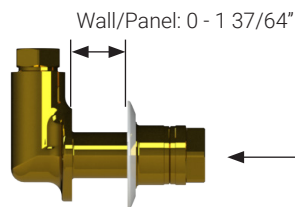
Place the flange on the angle through the wall and then the union nut. Tighten the union nut with 25 Nm.

Recommend tools:

Torque wrench: 97A0146
 Squaredrive: 97A0148
 Socket: 97A0149

RWC Connection

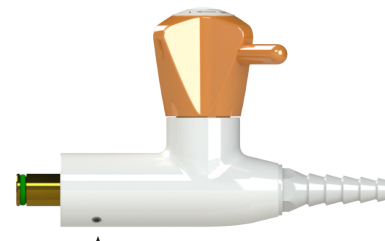
Has to be installed together with the pipe system.
 Blind plug used for protection, until valve installation: 25392792099



RWC test tool (Product number 1521177) for pressure testing of system.

Straight valve

Mount the valve after installation and testing of the RWC connection. We are testing all products before leaving the factory..



Tighten the two pointed screws, with a Hexagon key 2 mm, after mounting in the valve. Max. 1 lb-ft.

Recommend tools:

Hexagon key 5/64" / 2 mm: 97A0150

PLUG IN