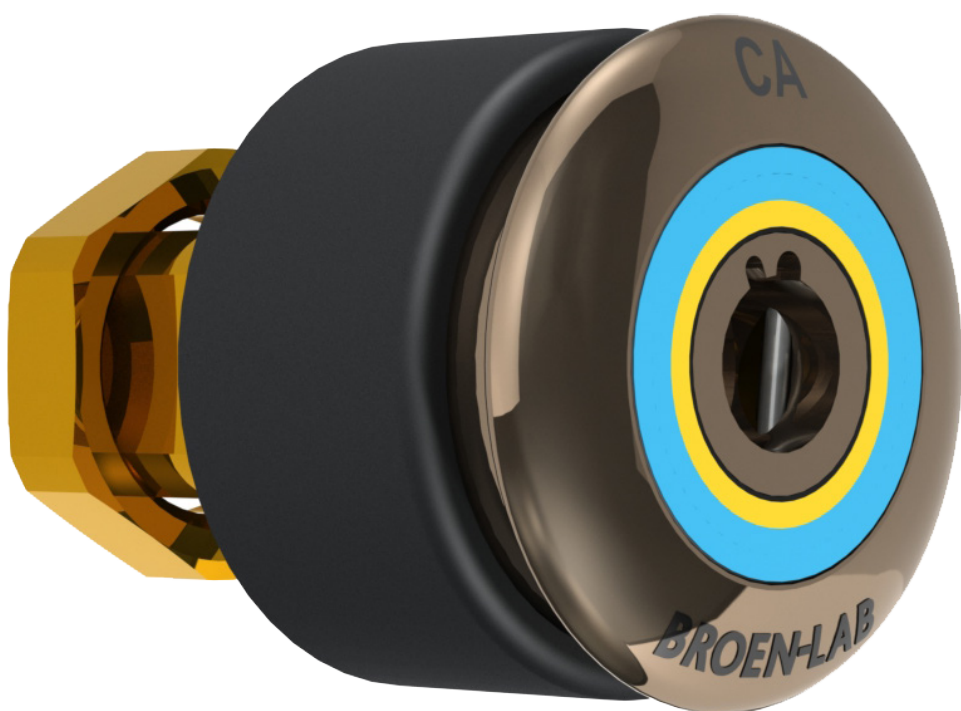


**BROEN-LAB
QUICK CONNECT
FOR 2.0, 4.0 & 5.0
GASES**



BROEN-LAB QUICK CONNECT FOR 2.0, 4.0 & 5.0 GASES

BROEN-LAB QUICK CONNECT FOR 2.0, 4.0 & 5.0 GASES

BROEN-LAB

TABLE OF CONTENTS

Content	Page
BROEN-LAB UniFlex™	4
Introduction	5
Technical Gases	
Panel Mounted	6
Panel Mounted Built in	7
Bench Mounted	8
Wall Mounted, exposed pipe	9
Wall Mounted, concealed piping	10
Wall Mounted, concealed piping with mounting disc	11
Suspended Mounted	12
Accessories - Flowmeter	13
Accessories - Outlet Straight	14
Accessories - Outlet 90° Angle	15
Accessories - Outlet with needle valve	16
Accessories - Pressure regulator	17
Burning Gases	
Panel Mounted	18
Panel Mounted Built in	19
Bench Mounted	20
Wall Mounted, exposed pipe	21
Wall Mounted, concealed piping	22
Wall Mounted, concealed piping with mounting disc	23
Suspended Mounted	24
Accessories - Flowmeter	25
Accessories - Outlet Straight	26
Accessories - Outlet 90° Angle	27
Accessories - Outlet with needle valve	28
Spare parts/Accessories	29
Ordering Information	30

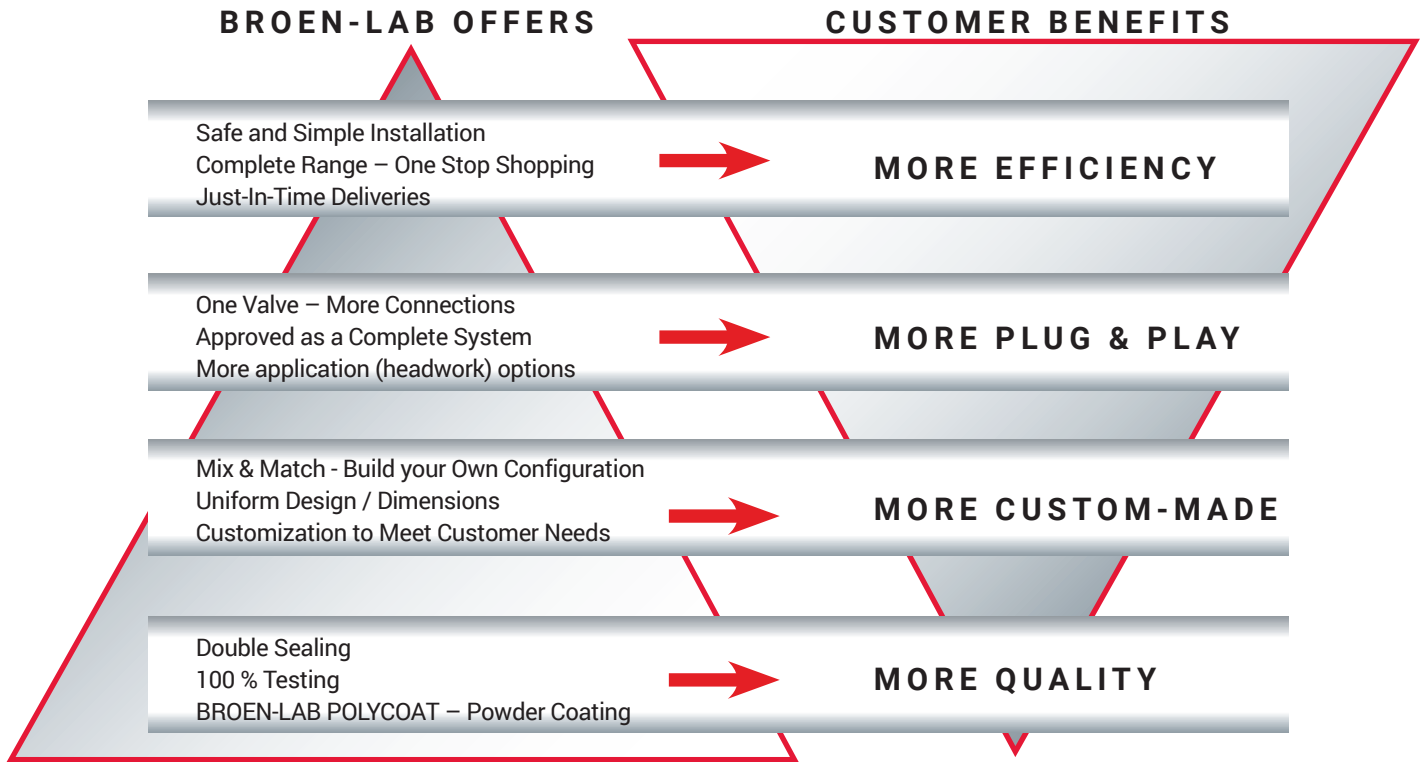
BROEN-LAB QUICK CONNECT



THIS IS BROEN-LAB UNIFLEX™

BROEN-LAB UniFlex™ line offers a very high quality and durability combined with the complete program, which adds up to low LCC (Life Cycle Costs).

BROEN-LAB QUICK CONNECT



BROEN-LAB UniFlex™ fittings are designed for laboratory use. The operation and the configuration of the fittings are highly adapted to the requirements of a modern laboratory.

THIS IS BROEN-LAB UNIFLEX™

BROEN-LAB UniFlex™ is a unique and patented connection, which allows customers to choose from various connection methods, such as hoses, Cu, PEX or Stainless Steel pipes, without changing the valve itself. It provides unique flexibility, not only for the installer, but also for the end-user. Due to the flexibility of the system, the quick installation and savings on fittings, this system offers lower TIC (Total Installed Costs).

INTRODUCTION

WHAT IS BROEN-LAB QUICK CONNECT?

BROEN-LAB Quick Connect is the new innovative and flexible lab solution, it has a compact design that increases the size of the "working area" and reduces the downtime of the laboratory.

With BROEN-LAB Quick Connect you no longer have to finalise all processes in the laboratory layout from the outset. It lets you change both gas and fluid types as well as accessories, quickly and easily - with no need for external assistance.

This flexibility means that you can convert for different types of tests or trials in the same room. In other words, it gives you several labs in one. This means that you are ready when the world changes.

BROEN-LAB QUICK CONNECT FEATURES:

- Easy to install
 - 7 different ways of mounting
 - BROEN-LAB UniFlex inlet connection
- Non-return valve in the outlet
 - Closes when the plug is disengaged
- Adaptable for changes
 - Flexible lab solution
 - Wide range of accessories
- 100% safe
 - Unique key system
 - Colour coded according to the EN 13792 or SEFA norm

Product numbers in this catalogue are according to the EN 13792 norm. For SEFA norm, please contact your BROEN-LAB representative.

MEDIAS:

- Technical gases Purity 2.0, 4.0 & 5.0
Vacuum
- Burning gases
- Water For water sorts please contact your BROEN-LAB representative

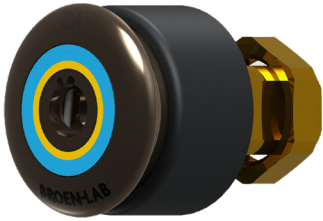
TECHNICAL INFORMATION:

Materials:

- Body: Brass

Products prepared for 4.0 and 5.0, all wetted materials are ultrasonic cleaned and packed in sealed bags.





SPECIFICATIONS

Panel mounted Quick Connect with media indication according to EN13792.

Temperature range: 0-90°C

Max. working pressure: 16 bar / 232 psi

Test pressure: 1 x working pressure

Inlet: BROEN-LAB UniFlex™ / M24x1

MATERIALS WITH MEDIA CONTACT

Metals: Brass

Sealing: FKM

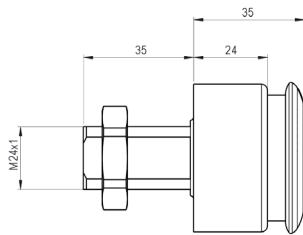
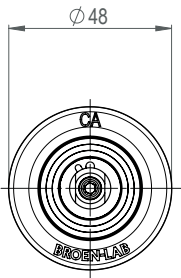
Lubrication: Perfluoropolyether based

ORDERING INFORMATION

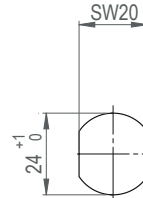
For standard configuration please refer to the item numbers below.

For further information, please contact your BROEN-LAB representative.

MOUNTING INFORMATION
Installation example

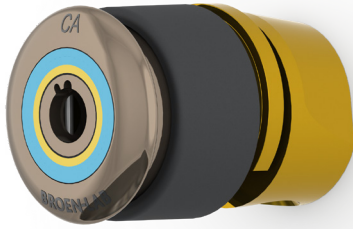


Dimension for mounting hole



BROEN-LAB QUICK CONNECT

Media	2.0	4.0 and 5.0
Compressed Air (CA)	2410 001 1021	2410 004 1021
Nitrogen (N ₂)	2410 001 1023	2410 004 1023
Oxygen (O ₂)		2410 004 1022
Vacuum (V)	2410 001 1028	2410 004 1028
Argon (Ar)	2410 001 1025	2410 004 1025
Helium (He)	2410 001 1026	2410 004 1026
Hydrogen (H ₂)		2410 004 1019
Carbon Dioxide (CO ₂)	2410 001 1024	2410 004 1024



SPECIFICATIONS

Panel mounted Quick Connect with media indication according to EN13792.

Temperature range: 0-90°C

Max. working pressure: 16 bar / 232 psi

Test pressure: 1 x working pressure

Inlet: BROEN-LAB UniFlex™

MATERIALS WITH MEDIA CONTACT

- Metals:** Brass
- Sealing:** FKM
- Lubrication:** Perfluoropolyether based

ORDERING INFORMATION

For standard configuration please refer to the item numbers below.

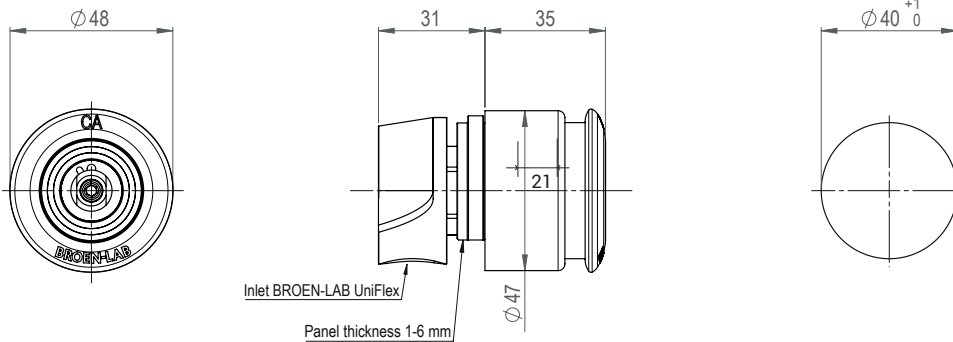
For further information, please contact your BROEN-LAB representative

BROEN-LAB QUICK CONNECT

MOUNTING INFORMATION

Installation example

Dimension for mounting hole



Media	2.0	4.0 and 5.0
Compressed Air (CA)	2413 009 1021	2413 012 1021
Nitrogen (N ₂)	2413 009 1023	2413 012 1023
Oxygen (O ₂)		2413 012 1022
Vacuum (V)	2413 009 1028	2413 012 1028
Argon (Ar)	2413 009 1025	2413 012 1025
Helium (He)	2413 009 1026	2413 012 1026
Hydrogen (H ₂)		2413 012 1019
Carbon Dioxide (CO ₂)	2413 009 1024	2413 012 1024



SPECIFICATIONS

Bench mounted Quick Connect with media indication according to EN13792

Temperature range: 0-90°C

Max. working pressure: 16 bar / 232 psi

Test pressure: 1 x working pressure

Inlet: BROEN-LAB UniFlex™

MATERIALS WITH MEDIA CONTACT

Metals: Brass

Sealing: FKM

Lubrication: Perfluoropolyether based

ORDERING INFORMATION

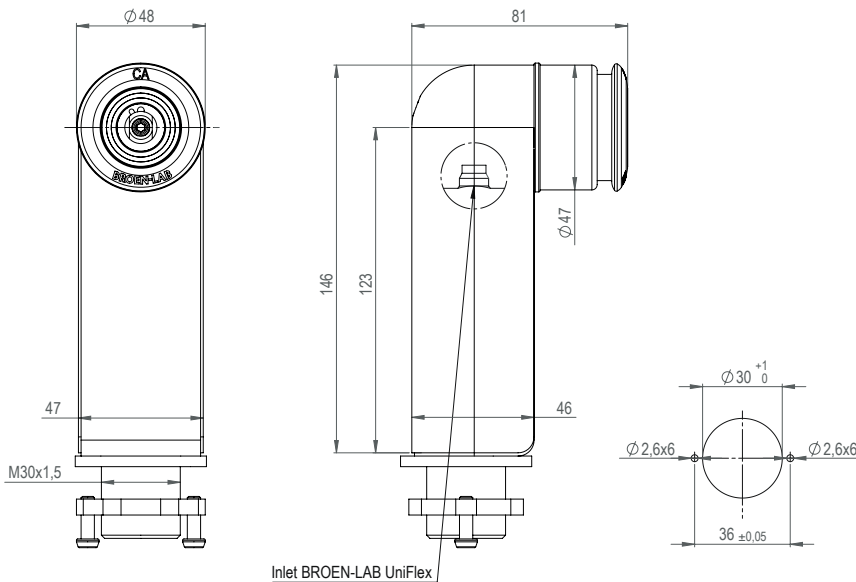
For standard configuration please refer to the item numbers below.

For further information, please contact your BROEN-LAB representative.

MOUNTING INFORMATION

Installation example

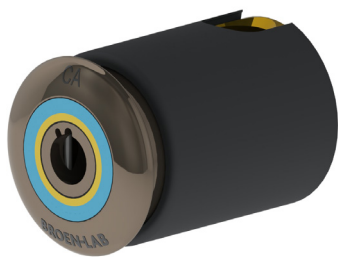
Dimension for mounting hole



BROEN-LAB QUICK CONNECT

Media	2.0	4.0 and 5.0
Compressed Air (CA)	2411 001 1021 - XX	2411 004 1021 - XX
Nitrogen (N ₂)	2411 001 1023 - XX	2411 004 1023 - XX
Oxygen (O ₂)		2411 004 1022 - XX
Vacuum (V)	2411 001 1028 - XX	2411 004 1028 - XX
Argon (Ar)	2411 001 1025 - XX	2411 004 1025 - XX
Helium (He)	2411 001 1026 - XX	2411 004 1026 - XX
Hydrogen (H ₂)		2411 004 1019 - XX
Carbon Dioxide (CO ₂)	2411 001 1024 - XX	2411 004 1024 - XX

XX = Different inlet options. See page 30 to find the right fit for your need.



SPECIFICATIONS

Wall mounted with exposed pipe Quick Connect.
 Special designed for sheet metal walls, where it is possible to cut threads.
 Media indication according to EN 13792.
Temperature range: 0-90°C
Max. working pressure: 16 bar / 232 psi
Test pressure: 1 x working pressure
Inlet: BROEN-LAB UniFlex™

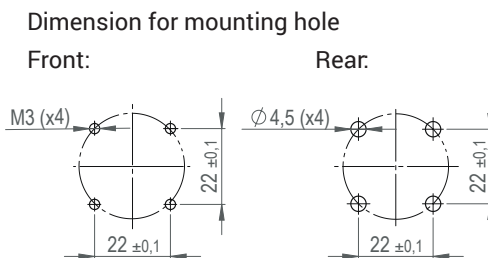
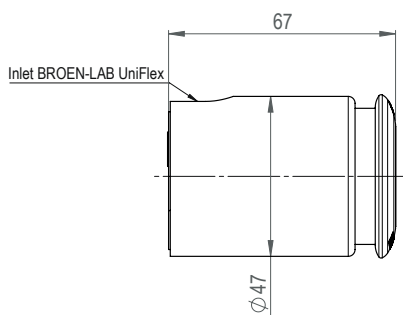
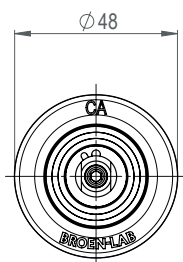
MATERIALS WITH MEDIA CONTACT

Metals: Brass
Sealing: FKM
Lubrication: Perfluoropolyether based

ORDERING INFORMATION

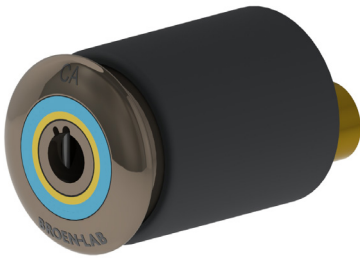
For standard configuration please refer to the item numbers below.
 For further information, please contact your BROEN-LAB representative.

MOUNTING INFORMATION
 Installation example



BROEN-LAB QUICK CONNECT

Media	2.0	4.0 and 5.0
Compressed Air (CA)	2412 001 1021	2412 004 1021
Nitrogen (N ₂)	2412 001 1023	2412 004 1023
Oxygen (O ₂)		2412 004 1022
Vacuum (V)	2412 001 1028	2412 004 1028
Argon (Ar)	2412 001 1025	2412 004 1025
Helium (He)	2412 001 1026	2412 004 1026
Hydrogen (H ₂)		2412 004 1019
Carbon Dioxide (CO ₂)	2412 001 1024	2412 004 1024



SPECIFICATIONS

Wall mounted with concealed pipe Quick Connect.
 Special designed for sheet metal walls, where it is possible to cut threads.

Media indication according to EN 13792.

Temperature range: 0-90°C

Max. working pressure: 16 bar / 232 psi

Test pressure: 1 x working pressure

Inlet: BROEN-LAB UniFlex™

MATERIALS WITH MEDIA CONTACT

Metals: Brass

Sealing: FKM

Lubrication: Perfluoropolyether based

ORDERING INFORMATION

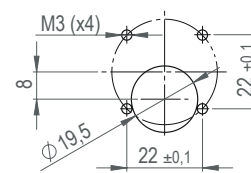
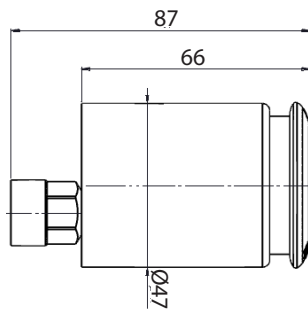
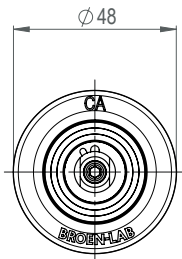
For standard configuration please refer to the item numbers below.

For further information, please contact your BROEN-LAB representative.

MOUNTING INFORMATION

Installation example

Dimension for mounting hole



BROEN-LAB QUICK CONNECT

Media	2.0	4.0 and 5.0
Compressed Air (CA)	2412 006 1021	2412 007 1021
Nitrogen (N ₂)	2412 006 1023	2412 007 1023
Oxygen (O ₂)		2412 007 1022
Vacuum (V)	2412 006 1028	2412 007 1028
Argon (Ar)	2412 006 1025	2412 007 1025
Helium (He)	2412 006 1026	2412 007 1026
Hydrogen (H ₂)		2412 007 1019
Carbon Dioxide (CO ₂)	2412 006 1024	2412 007 1024



SPECIFICATIONS

Wall mounted with concealed pipe Quick Connect.
 Special designed for sheet metal walls. Wall supported with mounting disc.

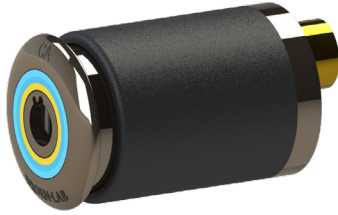
Media indication according to EN 13792.

Temperature range: 0-90°C

Max. working pressure: 16 bar / 232 psi

Test pressure: 1 x working pressure

Inlet: BROEN-LAB UniFlex™



MATERIALS WITH MEDIA CONTACT

Metals: Brass

Sealing: FKM

Lubrication: Perfluoropolyether based

ORDERING INFORMATION

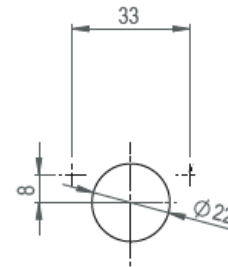
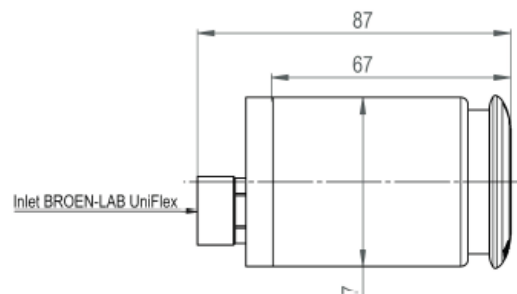
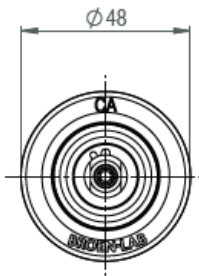
For standard configuration please refer to the item numbers below.

For further information, please contact your BROEN-LAB representative.

MOUNTING INFORMATION

Installation example

Dimension for mounting hole



BROEN-LAB QUICK CONNECT

Media	2.0	4.0 and 5.0
Compressed Air (CA)	2413 005 1021	2413 008 1021
Nitrogen (N ₂)	2413 005 1023	2413 008 1023
Oxygen (O ₂)		2413 008 1022
Vacuum (V)	2413 005 1028	2413 008 1028
Argon (Ar)	2413 005 1025	2413 008 1025
Helium (He)	2413 005 1026	2413 008 1026
Hydrogen (H ₂)		2413 008 1019
Carbon Dioxide (CO ₂)	2413 005 1024	2413 008 1024



SPECIFICATIONS

Suspended mounted Quick Connect, with media indication according to EN 13792.

Temperature range: 0-90°C

Max. working pressure: 16 bar / 232 psi

Test pressure: 1 x working pressure

Inlet: BROEN-LAB UniFlex™

MATERIALS WITH MEDIA CONTACT

Metals: Brass

Sealing: FKM

Lubrication: Perfluoropolyether based

ORDERING INFORMATION

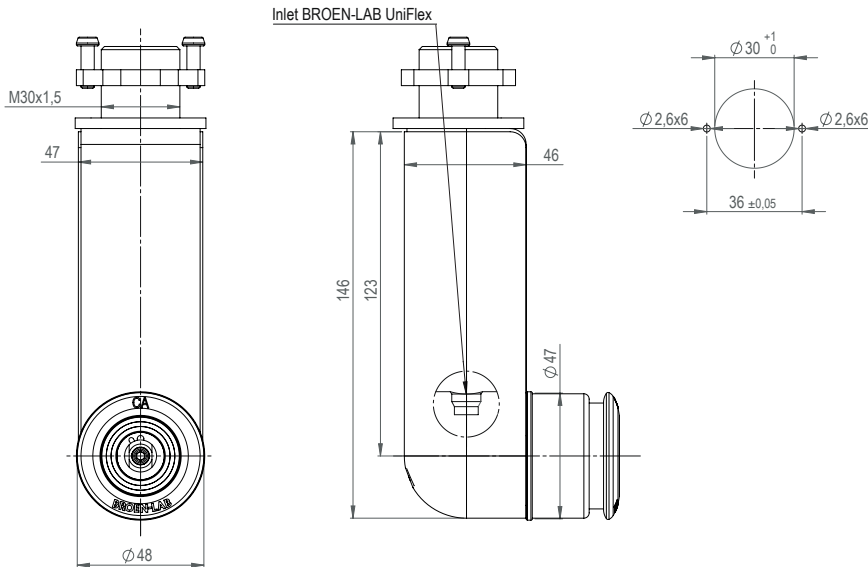
For standard configuration please refer to the item numbers below.

For further information, please contact your BROEN-LAB representative.

MOUNTING INFORMATION

Installation example

Dimension for mounting hole



BROEN-LAB QUICK CONNECT

Media

2.0

4.0 and 5.0

Compressed Air (CA)	2414 001 1021 - XX	2414 004 1021 - XX
Nitrogen (N ₂)	2414 001 1023 - XX	2414 004 1023 - XX
Oxygen (O ₂)		2414 004 1022 - XX
Vacuum (V)	2414 001 1028 - XX	2414 004 1028 - XX
Argon (Ar)	2414 001 1025 - XX	2414 004 1025 - XX
Helium (He)	2414 001 1026 - XX	2414 004 1026 - XX
Hydrogen (H ₂)		2414 004 1019 - XX
Carbon Dioxide (CO ₂)	2414 001 1024 - XX	2414 004 1024 - XX

XX = Different inlet options. See page 30 to find the right fit for your need.



SPECIFICATIONS

Flowmeter with built-in needle valve and non-return valve for Quick Connect with media indication according to EN13792.

Outlet: 1/4" NPT

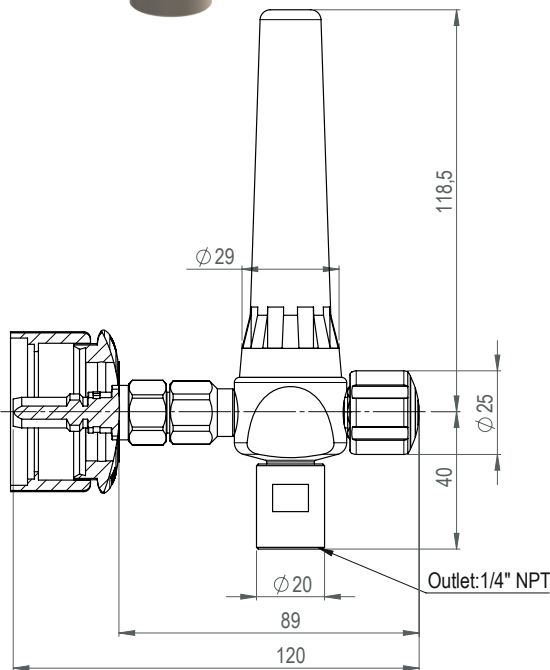
MATERIALS WITH MEDIA CONTACT

- Metals:** Brass
- Sealing:** FKM
- Lubrication:** Perfluoropolyether based

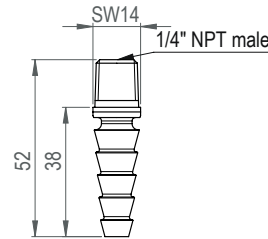
ORDERING INFORMATION

For standard configuration please refer to the item numbers below.
For further information, please contact your BROEN-LAB representative.

BROEN-LAB QUICK CONNECT



Outlet option:



Hose nozzle: 93C0850

Other outlet options available.
See options on page 29.

Media	Low flowrate 0-6 l/min	High flowrate 0-15 l/min
Compressed Air (CA)	2420 001 1021	2420 002 1021
Nitrogen (N ₂)	2420 001 1023	2420 002 1023
Oxygen (O ₂)	2420 001 1022	2420 002 1022
Vacuum (V)		
Argon (Ar)	2420 001 1025	2420 002 1025
Helium (He)	2420 001 1026	2420 002 1026
Hydrogen (H ₂)	2420 001 1019	2420 002 1019
Carbon Dioxide (CO ₂)	2420 001 1024	2420 002 1024



SPECIFICATIONS

Straight or 90° outlet with non-return valve for Quick Connect with media indication according to EN13792.

Outlet: 1/4" NPT

MATERIALS WITH MEDIA CONTACT

Metals: Brass

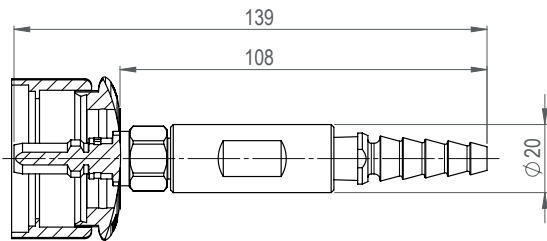
Sealing: FKM

Lubrication: Perfluoropolyether based

ORDERING INFORMATION









For standard configuration please refer to the item numbers below

For further information, please contact your BROEN-LAB representative.



BROEN-LAB QUICK CONNECT

Media

 Compressed Air (CA)	2421 001 1021
 Nitrogen (N ₂)	2421 001 1023
 Oxygen (O ₂)	2421 001 1022
 Vacuum (V)	2421 001 1028
 Argon (Ar)	2421 001 1025
 Helium (He)	2421 001 1026
 Hydrogen (H ₂)	2421 001 1019
 Carbon Dioxide (CO ₂)	2421 001 1024



SPECIFICATIONS

Straight or 90° outlet with non-return valve for Quick Connect with media indication according to EN13792.

Outlet: 1/4" NPT

MATERIALS WITH MEDIA CONTACT

Metals: Brass

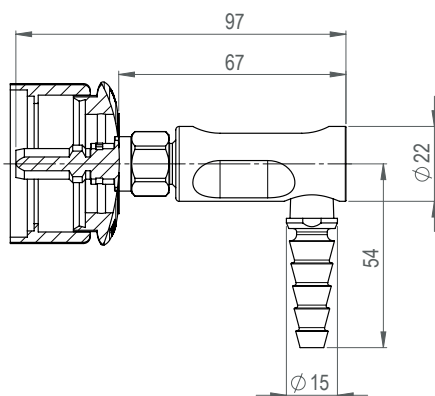
Sealing: FKM

Lubrication: Perfluoropolyether based

ORDERING INFORMATION









For standard configuration please refer to the item numbers below

For further information, please contact your BROEN-LAB representative.



BROEN-LAB QUICK CONNECT

Media

 Compressed Air (CA)	2421 002 1021
 Nitrogen (N ₂)	2421 002 1023
 Oxygen (O ₂)	2421 002 1022
 Vacuum (V)	2421 002 1028
 Argon (Ar)	2421 002 1025
 Helium (He)	2421 002 1026
 Hydrogen (H ₂)	2421 002 1019
 Carbon Dioxide (CO ₂)	2421 002 1024



SPECIFICATIONS

Outlet with needle valve and non-return valve for Quick Connect, with media indication according to EN 13792.

Outlet: 1/4" NPT



MATERIALS WITH MEDIA CONTACT

Metals: Brass

Sealing: FKM

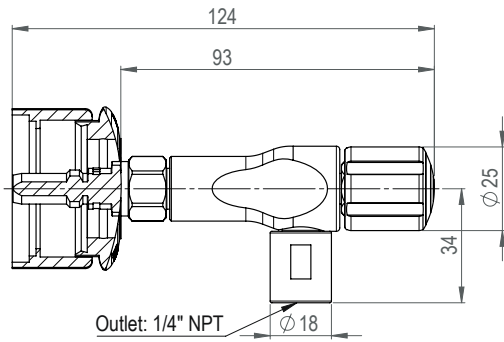
Lubrication: Perfluoropolyether based

ORDERING INFORMATION

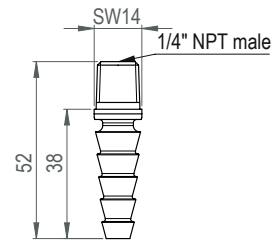
For standard configuration please refer to the item numbers below

For further information, please contact your BROEN-LAB representative.

BROEN-LAB QUICK CONNECT



Outlet option:



Hose nozzle: 93C0850

Other outlet options available.
See options on page 27.

Media	2.0	4.0 and 5.0
Compressed Air (CA)	2422 001 1021	2422 004 1021
Nitrogen (N ₂)	2422 001 1023	2422 004 1023
Oxygen (O ₂)		2422 004 1022
Vacuum (V)	2422 001 1028	2422 004 1028
Argon (Ar)	2422 001 1025	2422 004 1025
Helium (He)	2422 001 1026	2422 004 1026
Hydrogen (H ₂)		2422 004 1019
Carbon Dioxide (CO ₂)	2422 001 1024	2422 004 1024



SPECIFICATIONS

BROEN-LAB Quick Connect fittings can be supplied with a single stage pressure regulator. A single stage regulator is used to reduce the inlet pressure [P1] to the outlet pressure [P2] in one step. By turning the hand wheel the outlet [P2] pressure can be adjusted, with media indication according to EN 13792.

- Type:** Diaphragm single stage pressure regulator with non-return valve
- Purity:** Up to 5.0
- Outlet:** 1/4" NPT female
- Optional:** With needle valve

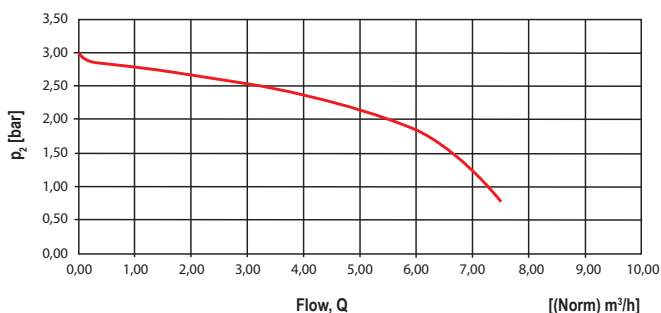
RECOMMENDED INLET PRESSURE:

P2	P1
0 - 3 bar:	7 - 16 bar
0 - 10 bar:	16 bar

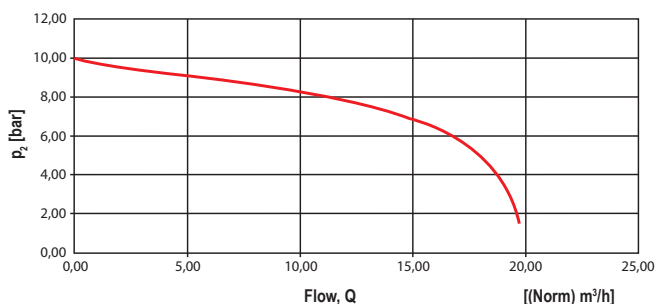
MATERIALS IN MEDIA CONTACT:

- Metal:** Brass
- Plastics:** PVDF
- Sealing:** FKM

Flow curve
0-3 bar



Flow curve
0-10 bar



BROEN-LAB QUICK CONNECT

Media

0 - 3 bar

0 - 10 bar

Compressed Air (CA)	2430 002 1021	2430 003 1021
Nitrogen (N ₂)	2430 002 1023	2430 003 1023
Oxygen (O ₂)	2430 002 1022	2430 003 1022
Argon (Ar)	2430 002 1025	2430 003 1025
Helium (He)	2430 002 1026	2430 003 1026
Hydrogen (H ₂)	2430 002 1019	2430 003 1019
Carbon Dioxide (CO ₂)	2430 002 1024	2430 003 1024

SPECIFICATIONS

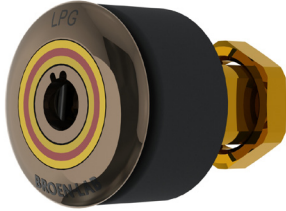
Panel mounted Quick Connect with media indication according to EN13792.

Temperature range: 0-90°C

Max. working pressure: 16 bar / 232 psi

Test pressure: 1 x working pressure

Inlet: BROEN-LAB UniFlex™/ M24 x 1



MATERIALS WITH MEDIA CONTACT

- Metals:** Brass
- Sealing:** Nitrile (NBR)
- Lubrication:** Mineral oil based

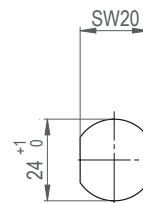
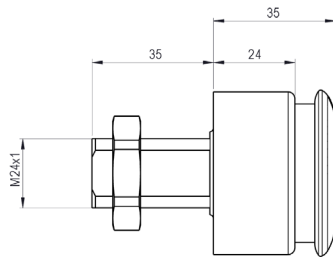
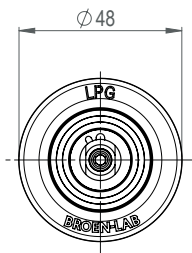
ORDERING INFORMATION

For standard configuration please refer to the item numbers below
For further information, please contact your BROEN-LAB representative.

BROEN-LAB QUICK CONNECT

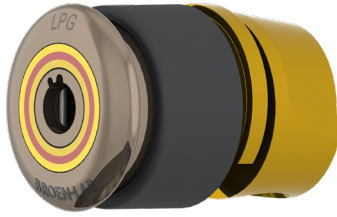
MOUNTING INFORMATION
Installation example

Dimension for mounting hole



Media

	Propan/Butan (LPG)	2410 002 1011
	Natural Gas (G)	2410 002 1009



SPECIFICATIONS

Panel mounted Quick Connect with media indication according to EN13792.

Temperature range: 0-90°C

Max. working pressure: 16 bar / 232 psi

Test pressure: 1 x working pressure

Inlet: BROEN-LAB UniFlex™

MATERIALS WITH MEDIA CONTACT

Metals: Brass

Sealing: Nitrile (NBR)

Lubrication: Mineral oil based

ORDERING INFORMATION

For standard configuration please refer to the item numbers below

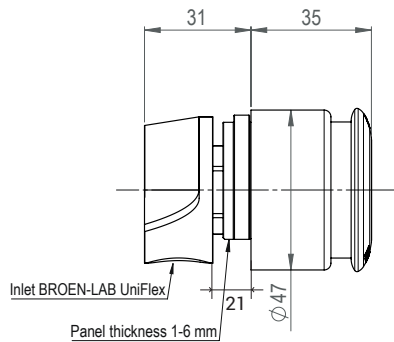
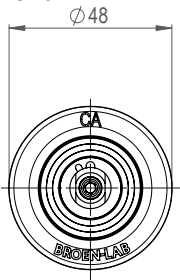
For further information, please contact your BROEN-LAB representative.

BROEN-LAB QUICK CONNECT

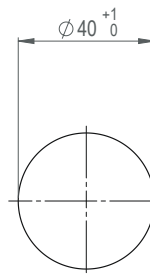
MOUNTING INFORMATION

Installation example

Built-in:



Dimension for mounting hole



Media



Propan/Butan (LPG)

2413 002 1011



Natural Gas (G)

2413 002 41009



SPECIFICATIONS

Bench mounted Quick Connect with media indication according to EN13792.

Temperature range: 0-90°C

Max. working pressure: 16 bar / 232 psi

Test pressure: 1 x working pressure

Inlet: BROEN-LAB UniFlex™

MATERIALS WITH MEDIA CONTACT

Metals: Brass

Sealing: Nitrile (NBR)

Lubrication: Mineral oil based

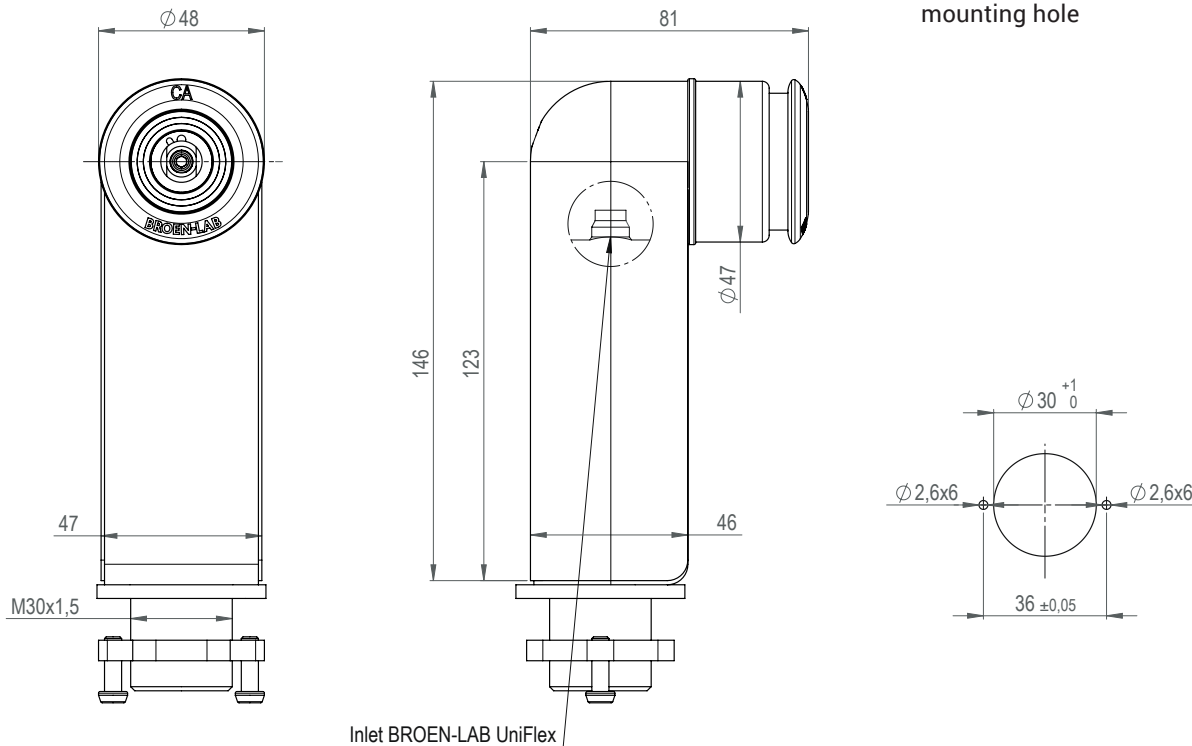
ORDERING INFORMATION

For standard configuration please refer to the item numbers below

For further information, please contact your BROEN-LAB representative.

BROEN-LAB QUICK CONNECT

MOUNTING INFORMATION
Installation example



Dimension for mounting hole

Inlet BROEN-LAB UniFlex

Media



Propan/Butan (LPG)

24 11 002 1011 - XX



Natural Gas (G)

24 11 002 1009 - XX

XX = Different inlet options. See page 30 to find the right fit for your need.

SPECIFICATIONS

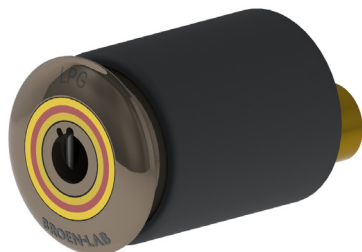
Wall mounted with concealed pipe Quick Connect. Special designed for sheet metal walls, where it is possible to cut threads. Media indication according to EN 13792.

Temperature range: 0-90°C

Max. working pressure: 16 bar / 232 psi

Test pressure: 1 x working pressure

Inlet: BROEN-LAB UniFlex™



MATERIALS WITH MEDIA CONTACT

- Metals:** Brass
- Sealing:** Nitrile (NBR)
- Lubrication:** Mineral oil based

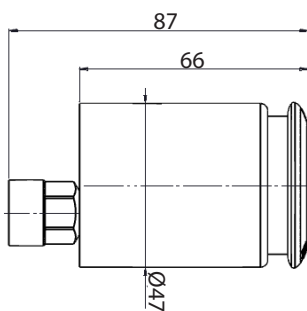
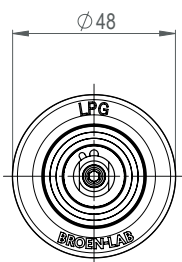
ORDERING INFORMATION

For standard configuration please refer to the item numbers below
 For further information, please contact your BROEN-LAB representative.

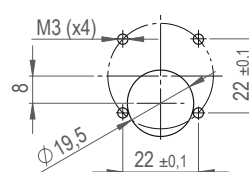
BROEN-LAB QUICK CONNECT

MOUNTING INFORMATION

Installation example



Dimension for mounting hole



Media



Propan/Butan (LPG)

2412 005 1011



Natural Gas (G)

2412 005 1009



SPECIFICATIONS

Wall mounted with concealed pipe Quick Connect.
 Special designed for sheet metal walls. Wall supported with mounting disc.
 Media indication according to EN 13792.
Temperature range: 0-90°C
Max. working pressure: 16 bar / 232 psi
Test pressure: 1 x working pressure
Inlet: BROEN-LAB UniFlex™

MATERIALS WITH MEDIA CONTACT

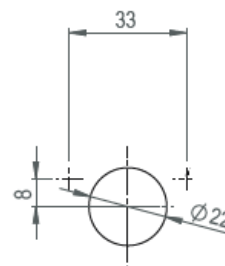
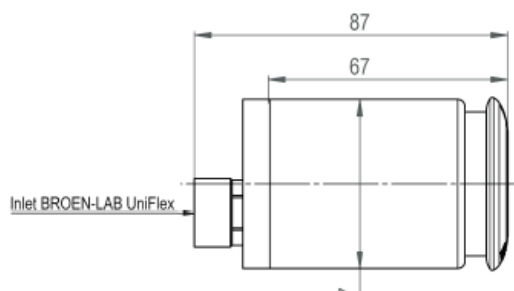
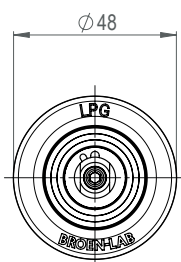
Metals: Brass
Sealing: FKM
Lubrication: Perfluoropolyether based

ORDERING INFORMATION

For standard configuration please refer to the item numbers below.
 For further information, please contact your BROEN-LAB representative.

MOUNTING INFORMATION
 Installation example

Dimension for mounting hole



BROEN-LAB QUICK CONNECT

Media



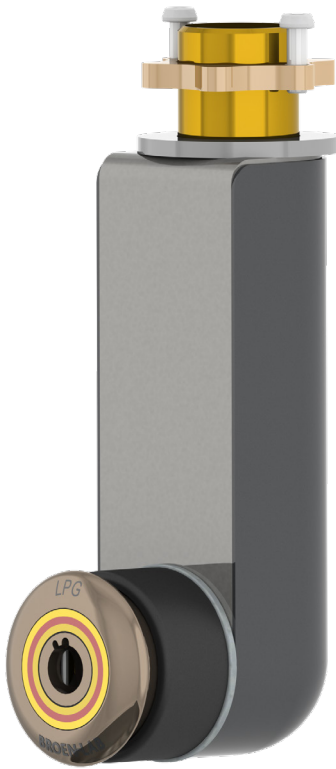
Propan/Butan (LPG)

2413 006 1011



Natural Gas (G)

2413 006 1009



SPECIFICATIONS

Suspended mounted Quick Connect with media indication according to EN 13792

Temperature range: 0-90°C

Max. working pressure: 16 bar / 232 psi

Test pressure: 1 x working pressure

Inlet: BROEN-LAB UniFlex™

MATERIALS WITH MEDIA CONTACT

Metals: Brass

Sealing: Nitrile (NBR)

Lubrication: Mineral oil based

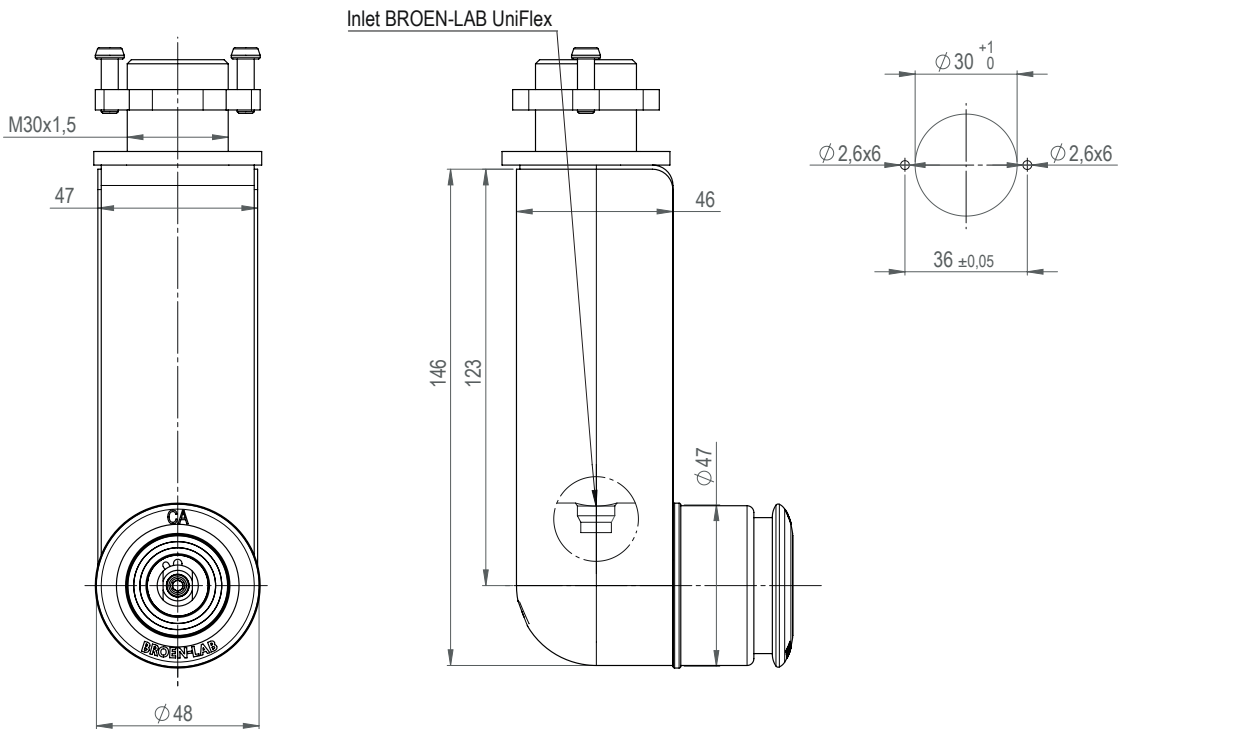
ORDERING INFORMATION

For standard configuration please refer to the item numbers below

For further information, please contact your BROEN-LAB representative.

MOUNTING INFORMATION

Installation example



BROEN-LAB QUICK CONNECT

Media



Propan/Butan (LPG)

2414 002 1011 - XX



Natural Gas (G)

2414 002 1009 - XX

XX = Different inlet options. See page 30 to find the right fit for your need.



SPECIFICATIONS

Flowmeter with built-in needle valve and non-return valve for Quick Connect with media indication according to EN13792.

Outlet: 1/4" NPT

MATERIALS WITH MEDIA CONTACT

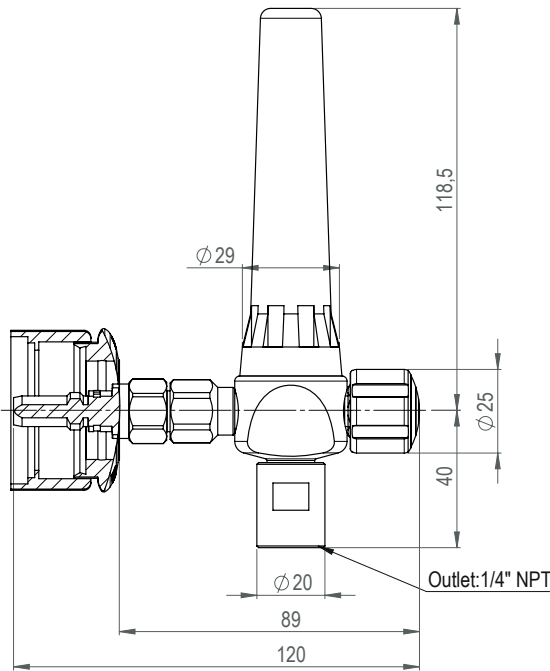
- Metals:** Brass
- Sealing:** Nitrile (NBR)
- Lubrication:** Mineral oil based

ORDERING INFORMATION

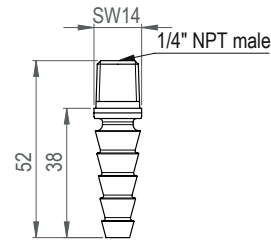
For standard configuration please refer to the item numbers below

For further information, please contact your BROEN-LAB representative.

BROEN-LAB QUICK CONNECT





Outlet option:



Hose nozzle: 93C0850

Other outlet options available. See options on page 27.

Media	Low flowrate (0-6 l/min)	High flowrate (0-15 l/min)
 Propan/Butan (LPG)	2420 001 1011	2420 002 1011
 Natural Gas (G)	2420 001 1009	2420 002 1009



SPECIFICATIONS

Straight or 90° outlet with non-return valve for Quick Connect with media indication according to EN13792.

Outlet: 1/4" NPT

MATERIALS WITH MEDIA CONTACT

Metals: Brass

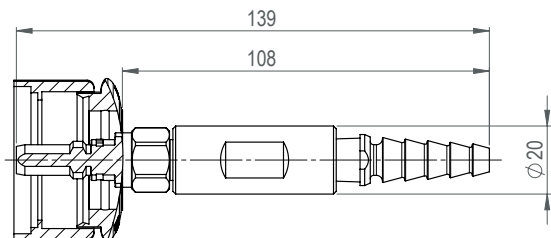
Sealing: Nitrile (NBR)

Lubrication: Mineral oil based

ORDERING INFORMATION

For standard configuration please refer to the item numbers below

For further information, please contact your BROEN-LAB representative.



BROEN-LAB QUICK CONNECT

Media



Propan/Butan (LPG)

2421 001 1011



Natural Gas (G)

2421 001 1009

SPECIFICATIONS

Straight or 90° outlet with non-return valve for Quick Connect with media indication according to EN13792.

Outlet: 1/4" NPT

MATERIALS WITH MEDIA CONTACT

Metals: Brass

Sealing: Nitrile (NBR)

Lubrication: Mineral oil based

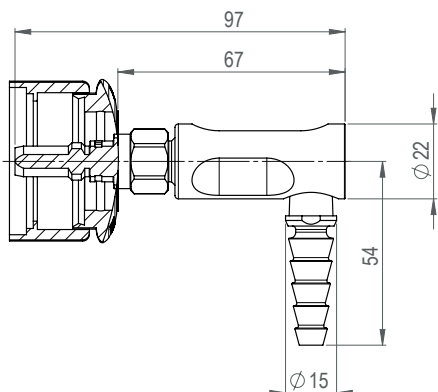
ORDERING INFORMATION

For standard configuration please refer to the item numbers below

For further information, please contact your BROEN-LAB representative.



BROEN-LAB QUICK CONNECT



Media



Propan/Butan (LPG)

2421 002 1011



Natural Gas (G)

2421 002 1009



SPECIFICATIONS

Outlet with needle valve and non-return valve for Quick connect, with media indication according to EN 13792.

Outlet: 1/4" NPT

MATERIALS WITH MEDIA CONTACT

- Metals:** Brass
- Sealing:** Nitrile (NBR)
- Lubrication:** Mineral oil based

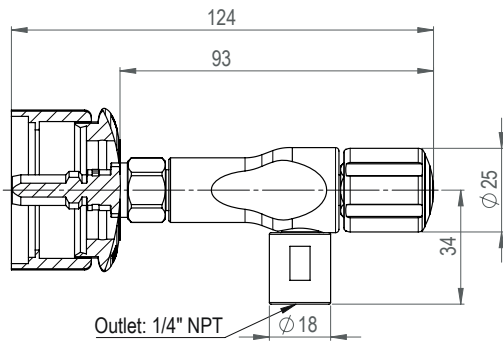
ORDERING INFORMATION

For standard configuration please refer to the item numbers below.

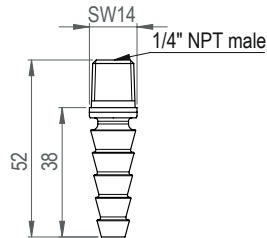
For further information, please contact your BROEN-LAB representative.



BROEN-LAB QUICK CONNECT



Outlet option:







Hose nozzle: 93C0850

Other outlet options available. See options on page 29.

Media

	Propan/Butan (LPG)	2422 002 1011
	Natural Gas (G)	2422 002 1009

ACCESORIES / SPARE PARTS

Illustration	Description	BROEN-LAB item no.												
	<p>Swagelok straight tube fittings</p> <p>OD 1/8" OD 1/4" OD 6mm OD 8mm OD 10mm</p>	<table border="0"> <tr> <td>Brass:</td> <td>Stainless Steel:</td> </tr> <tr> <td>96i01400</td> <td>96i01040</td> </tr> <tr> <td>96i00390</td> <td>96i01030</td> </tr> <tr> <td>96i01120</td> <td>96i01020</td> </tr> <tr> <td>96i00380</td> <td>96i01110</td> </tr> <tr> <td>96i01240</td> <td>96i01430</td> </tr> </table>	Brass:	Stainless Steel:	96i01400	96i01040	96i00390	96i01030	96i01120	96i01020	96i00380	96i01110	96i01240	96i01430
Brass:	Stainless Steel:													
96i01400	96i01040													
96i00390	96i01030													
96i01120	96i01020													
96i00380	96i01110													
96i01240	96i01430													
	<p>Swagelok elbow tube fittings</p> <p>OD 1/8" OD 1/4" OD 6mm OD 8mm OD 10mm</p>	<table border="0"> <tr> <td>Brass:</td> <td>Stainless Steel:</td> </tr> <tr> <td>96i01560</td> <td>96i01100</td> </tr> <tr> <td>96i01550</td> <td>96i01090</td> </tr> <tr> <td>96i01320</td> <td>96i01080</td> </tr> <tr> <td>96i01540</td> <td>96i00430</td> </tr> <tr> <td>96i01390</td> <td>96i01680</td> </tr> </table>	Brass:	Stainless Steel:	96i01560	96i01100	96i01550	96i01090	96i01320	96i01080	96i01540	96i00430	96i01390	96i01680
Brass:	Stainless Steel:													
96i01560	96i01100													
96i01550	96i01090													
96i01320	96i01080													
96i01540	96i00430													
96i01390	96i01680													
	<p>Mounting disc</p>	<p>19 15 4000</p>												
	<p>Hose nozzle</p>	<p>93C0850</p>												

ORDERING INFORMATION

Generally, item number for BROEN-LAB Quick Connect has the following structure:

24 XX XXX 10 XX - XX X

BROEN-LAB Series no.

Mounting/assesories

- 10 - Panel
- 11 - Bench
- 12 - Wall, exposed, concealed
- 13 - Wall, disc mounted
- 14 - Suspended
- 20 - Flowmeter
- 21 - Outlets
- 22 - Outlet with needle valve
- 30 - Pressure regulator

Serial number

Country code

10 - International









Inlet type



- 50 - 30 mm, M30x1,5
- 52 - 60 mm, M30x1,5
- 54 - 90 mm, M30x1,5





Hose type

- B - 0,7m hose
- E - 0,7m hose
- H - 0,7m hose

Media code *

- Non-burning technical gases**
-  19 – Hydrogen (H₂)
 -  21 – Compressed air (CA)
 -  22 – Oxygen (O₂)
 -  23 – Nitrogen (N₂)
 -  24 – Carbon Dioxide (CO₂)
 -  25 – Argon (Ar)
 -  26 – Helium (He)
 -  28 – Low Vacuum (V)
(1000 to 1 mbar)

- Burning gases**
-  9 – Natural gas (G)
 -  11 – Liquefied Gases (LPG)

- Water**
-  07 – Water non-potable, cold (WNC)
 -  08 – Water non-potable, warm (WNH)
 -  05 – Coolant water, feed (WCF)
 -  06 – Coolant water, return (WCR)

* Other media on request.

Please contact your local BROEN-LAB representative.

BROEN-LAB develops, manufactures and sells Laboratory Fittings, Emergency Shower Systems and Eye Wash Systems into a broad spectrum of laboratories and industrial locations; sectors include Pharmaceutical, Food&Beverage and Academia. Our expertise and product quality ensure optimal solutions compliant to all relevant international norms setting new standards in risk mitigation in modern research and development facilities.

BROEN-LAB offer solutions that ensure the functionality, compliance, hygiene, durability and safety are of the highest priority. For over 50 years our products have been integrated into a wide variety of workplaces, laboratories, hospitals and industrial locations, with features that are assessed and designed to be flexible, durable and compliant offering a broad range of options tailored to each location. This inherent design integrity provides confidence in the solution adopted wherever in the world these are applied.

BROEN-LAB is a collaboration partner in the design and layout of your next laboratory and it's integrated safety solutions.

HEAD OFFICE

BROEN-LAB A/S

Drejervaenget 2 • DK-5610 Assens
Denmark

Tel.: +45 6376 6376 • Fax +45 6471 2476

E-mail: lab@broen.com



BROEN-LAB A/S ISO 9001 certification

In September 1991 BROEN-LAB A/S was certified according to ISO 9001 as one of the first Danish companies. The certification was carried out by Bureau Veritas, Denmark, for our Danish site in Assens. The quality management system of BROEN-LAB A/S now complies with detailed specifications laid down by the internationally acknowledged EN ISO 9001:2015. This certification will further contribute to reputation for quality and reliability of BROEN-LAB A/S.

INTERNATIONAL OFFICES

BROEN-LAB Ltd

Tel. +44 121 522 4515

E-mail: lab@broen-lab.com

BROEN-LAB Singapore Pte. Ltd.

25 International Business Park #04-60A German Centre
Singapore 609916

Tel. +65 6298 0662 • Fax +65 6298 0468

E-mail: lab@broen-lab.com

BROEN-LAB GmbH

Tel.: +45 6376 6376 • Fax +45 6471 2476

E-mail: lab@broen-lab.com

BROEN-LAB Sverige AB

Tel.: +45 6376 6376 • Fax +45 6471 2476

E-mail: lab@broen-lab.com

BROEN-LAB Inc.

15 Constitution Drive Suite 122
Bedford • NH 03110 • USA

Tel.: +1 603 310 5089

E-mail: lab@broen-lab.com

www.BROEN-LAB.com

BROEN-LAB