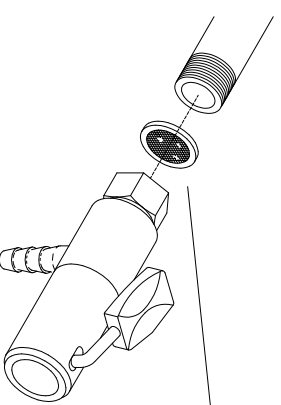


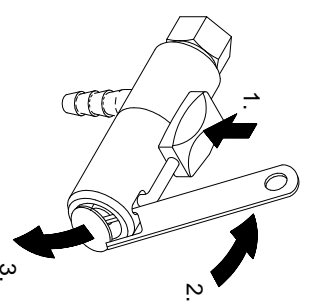
Instructions for the Installation and Maintenance of Self-Closing Valves for Special Water Sorts

1. CAUTION: In all installations the water lines for the special water valves must be flushed of all debris before activating the valve. Failure to do so will void the warranty!
2. If after following instructions in step 1. a restricted flow of water is experienced, check the filter for debris.

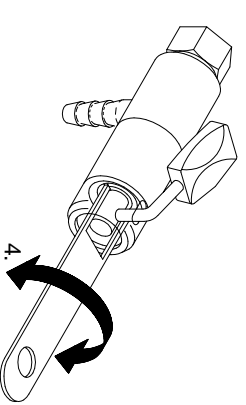


Filter no. 15 389.18

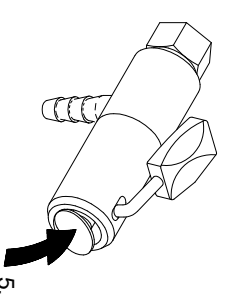
Adjustment of Self-Closing Valves for
Special Water Sorts.



1. Press down handle (1), and remove
front cover (3) by means of tool (2), as
illustrated.
Tool no. 15 389.20(2).



2. Adjust the valve as illustrated (4)
until the valve does not drip.



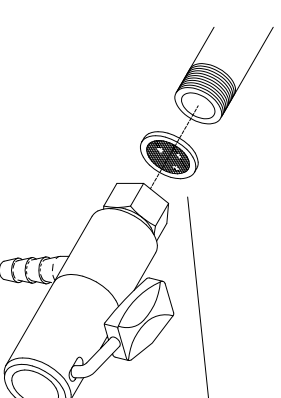
3. Insert front cover (5). - The valve is
now ready for use.

94G0099-1001

BROEN-LAB

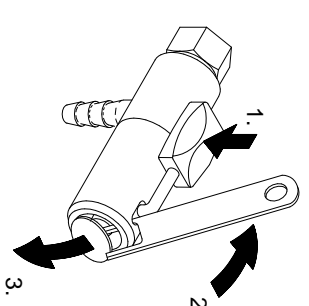
Instructions for the Installation and Maintenance of Self-Closing Valves for Special Water Sorts

1. CAUTION: In all installations the water lines for the special water valves must be flushed of all debris before activating the valve. Failure to do so will void the warranty!
2. If after following instructions in step 1. a restricted flow of water is experienced, check the filter for debris.

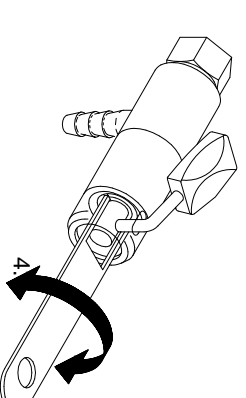


Filter no. 15 389.18

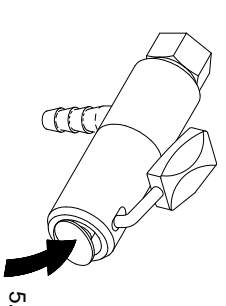
Adjustment of Self-Closing Valves for
Special Water Sorts.



1. Press down handle (1), and remove
front cover (3) by means of tool (2), as
illustrated.
Tool no. 15 389.20(2).



2. Adjust the valve as illustrated (4)
until the valve does not drip.



3. Insert front cover (5). - The valve is
now ready for use.

94G0099-1001

BROEN-LAB